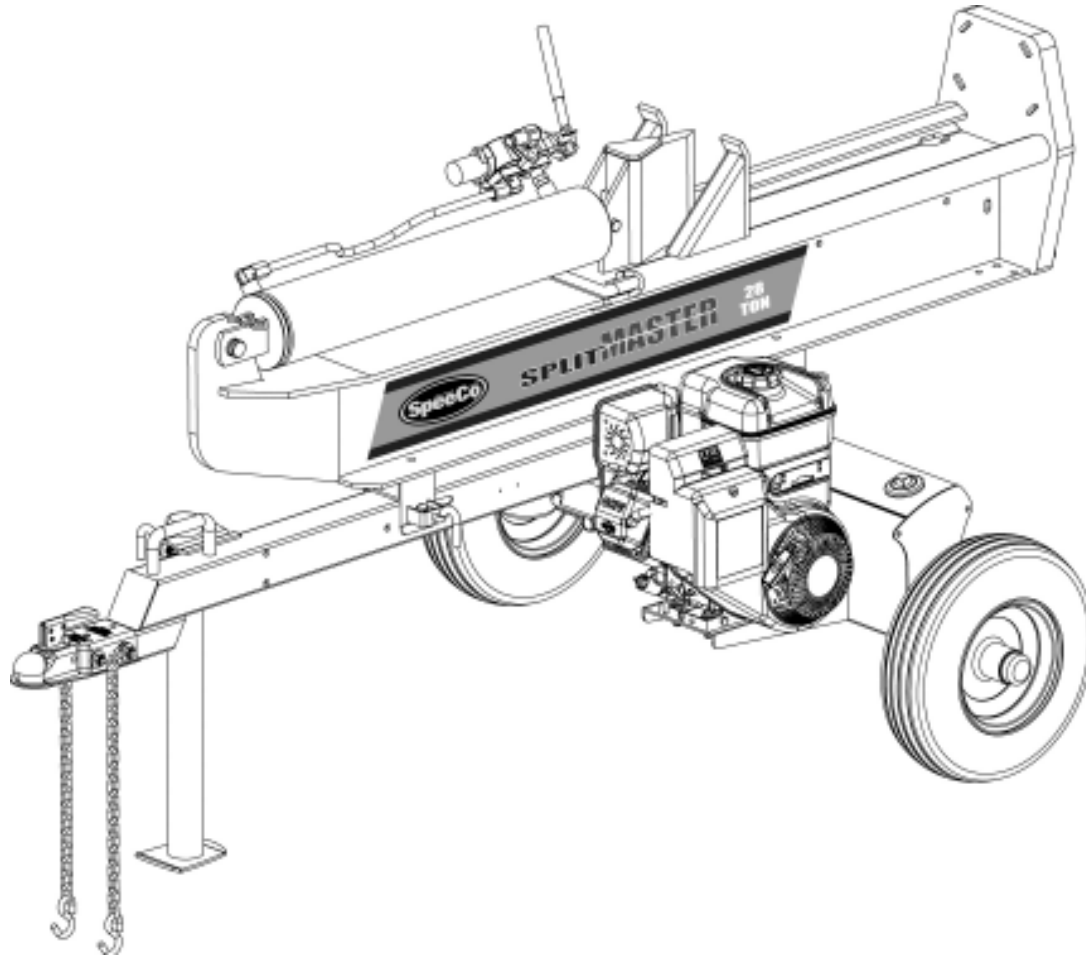




28 TON VERTICAL/HORIZONTAL LOG SPLITTER

SPLITMASTER



MODEL NO.

401628BB & 401628BBCA

Owner's Manual

ASSEMBLY & OPERATING INSTRUCTIONS



This safety alert symbol identifies important safety messages in this manual. Failure to follow this important safety information may result in serious injury or death.

Table of Contents

	Page(s)
Important Safety Information.....	1-6
Intended Use	1
Personal Protective Equipment	1
Safety Decals	1-2
General Safety	3
Preparation of the Log	3
Work Area	3
Operation of the Log Splitter	3-4
Repair and Maintenance Safety	4
Hydraulic Safety	5
Fire Prevention	5-6
Towing Safety	6
Assembly Instructions	7-13
Operating Instructions	12-13
Engine Oil Recommendations	12
Hydraulic Oil Recommendations	12
Starting Instructions	12
Operation	13
Towing	13
Maintenance	13
Parts Breakdown Illustrations.....	10-11
Specifications	Back Cover



IMPORTANT SAFETY INFORMATION



WARNING: Read and thoroughly understand all instructions and safety information before assembling or operating this log splitter. Failure to do so may cause serious injury or death. Do not allow anyone to operate this log splitter who has not read this manual. As with all power equipment, a log splitter can be dangerous if assembled or used improperly. Do not operate this log splitter if you have doubts or questions concerning safe operation. Call our customer service department at 1-800-525-8322 to address these concerns.

Si no entiende ingles, se prefiere que busque alguien que interprete las instrucciones para usted.

INTENDED USE

NEVER use this log splitter for any other purposes than splitting wood. It is designed for this use **only**. Any other use can cause serious injury or death.

PERSONAL PROTECTIVE EQUIPMENT

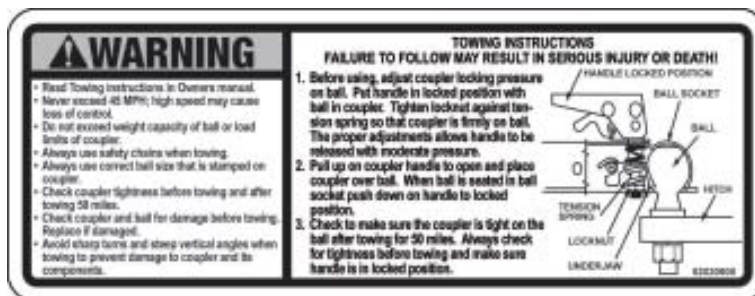


BEFORE operating this log splitter make sure that you wear safety gear such as goggles or safety glasses, steel toed shoes and tight fitting gloves (without loose cuffs or draw strings). Always wear a protective hearing device when operating this log splitter.

NEVER wear loose clothing or jewelry that can be caught by moving parts of the log splitter. Keep clothing and hair away from all moving parts when operating this log splitter.

SAFETY DECALS

Make sure that all safety warning decals are in good condition and readable. Always replace missing or defaced decals. Contact Special Products Co. at 1-800-525-8322 for replacement decals.




PART NUMBER: 52020000
LOCATION: TOP, FRONT END OF TONGUE



IMPORTANT SAFETY INFORMATION

OPERATOR SAFETY

WARNING



- Read and understand owner's manual thoroughly before operation. Failure to do so may result in serious injury. Manual also available online.
- Only one person should load and operate the log splitter. Keep all others away during operation. Never allow one person to operate the valve while another is positioning the log.
- Always position the log with hands on the sides of the log. Keep hands clear of ends.
- Do not operate log splitter under the influence of alcohol, drugs, or medication.
- Never check for leaks with your hands. High pressure fluid can escape through small holes and cause serious injury which could result in blood poisoning.
- Always stay in the operator zone when operating the log splitter.
- Keep hands, feet and clothing away from power driven parts.
- Do not attempt to step or reach over log splitter.
- Do not add gasoline while the engine is hot or running. Allow all spilled gas to evaporate before using log splitter.
- Always operate outdoors. Exhaust gases contain carbon monoxide. This odorless gas can be deadly when inhaled.

CAUTION

- Always wear safety glasses, safety shoes, and protective hearing devices during operation.
- Always shut off engine when leaving log splitter unattended, even for a short time.
- Always operate log splitter on level, dry, non-slippery surfaces. Keep off slopes.
- Keep work area clear of split wood, debris and other obstacles.
- Always split wood in the direction of the grain.

OPERATING INSTRUCTIONS

1. Read the Owner's manual for complete safety and operation instructions. Manual also available online.
2. Set up the log splitter in a clear, level area. Make sure that the suction port of the tank is always on the lower side of the log splitter.
3. Block the wheels. Lock the log splitter into either horizontal or vertical position.
4. Start the engine, refer to the Owner's manual and the Engine Operating and Maintenance manual.
5. Place a log on the beam against the foot plate. Position the log with hands on the sides. Make sure the log is securely placed against the foot plate and the beam.
6. Depress the valve handle so that the cylinder will drive the wedge into the log.
7. Extend the cylinder until the log splits or to the end of the stroke. If the log has not completely split after the cylinder has reached the end of its extension, retract the cylinder.

Control Valve
Retract ▲
●
Extend ▼

For Responsive Service
Call 1-800-525-8322

7/01/2008

PART NUMBER: 51018900
LOCATION: TOP OF HYDRAULIC CYLINDER

DANGER

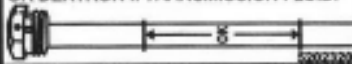


PINCH POINT
Keep Hands
Clear

PART NUMBER: 52055200
LOCATION: BOTH STRIPPER
PLATES AND CYLINDER

NOTICE

KEEP TANK FILLED TO "OK" RANGE ON
DIPSTICK. DO NOT FILL BEYOND "OK"
RANGE. USE UNIVERSAL HYDRAULIC OIL
OR DEXTRON II TRANSMISSION FLUID.



PART NUMBER: 52023200
LOCATION: HYDRAULIC TANK
LOWER TANK, RIGHT CORNER



IMPORTANT SAFETY INFORMATION

GENERAL SAFETY

Failure to follow these instructions may result in serious injury or death.

ALWAYS read the operator's manual before operation. It is located in the plastic canister on the tongue.

NEVER allow children to operate this log splitter. **NEVER** allow adults lacking proper instructions and understanding to operate this log splitter.

KEEP all people and pets a minimum of 10 feet away from your work area when operating this log splitter. Only the operator is to be near the log splitter during use.

NEVER actuate the control until all people are clear of the work area.

NEVER operate the log splitter when under the influence of alcohol, drugs or medication.

NEVER allow a person who is tired or otherwise not alert to operate the log splitter.

PREPARATION OF THE LOG

Both ends of the log should be cut as square as possible to help prevent the log from riding out of the splitter during operation. Do not split logs greater than 26 in. in length.

WORK AREA

NEVER operate the log splitter on slippery, wet, muddy or icy ground.

ONLY operate your log splitter on level ground. Operating on a slope could cause the log splitter to roll over or logs to fall off.

NEVER operate your log splitter in an enclosed area. Exhaust fumes contain carbon monoxide which can be deadly when inhaled.

NEVER attempt to move your log splitter over hilly or uneven terrain without a tow vehicle or adequate help.

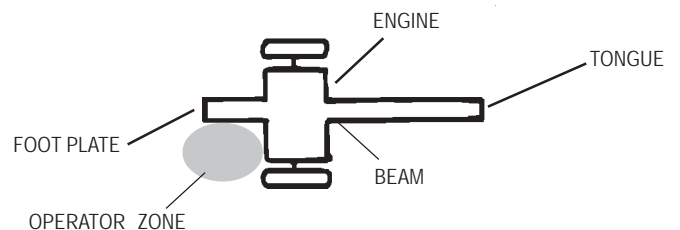
ALWAYS block the wheels to prevent movement of the log splitter while in operation.

ONLY operate your log splitter in daylight or under good artificial light.

ALWAYS keep the work area clean. Remove split wood around your log splitter immediately so that you don't stumble over it.

OPERATION OF THE LOG SPLITTER

ONLY operate the log splitter from the operator zone as shown in the diagram. The operator has the safest and most efficient access to the control valve and the beam in this location. Failure to operate the log splitter in this position can result in serious injury or death.





IMPORTANT SAFETY INFORMATION

KNOW how to stop the log splitter and disengage the controls before operating it.

NEVER place hands or feet between the log and splitting wedge during forward or reverse stroke. Serious injury or death could result.

NEVER straddle or step over the log splitter during operation.

NEVER reach or bend over the log splitter to pick up a log.

NEVER try to split two logs on top of each other.

NEVER try to cross split a log.

NEVER attempt to load your log splitter when the ram or wedge is in motion.

ALWAYS use your hand to operate the control lever on the valve. **NEVER** use your foot, a rope or any extension device.

NEVER move the log splitter while the engine is running. Shut off the engine even if you are leaving the log splitter for a short period of time.

ALWAYS avoid contact with the muffler and other hot areas of the engine during operation or after running to prevent burns.

REPAIR AND MAINTENANCE SAFETY

NEVER operate your log splitter when it is in poor mechanical condition or in need of repair.

Periodically check that all nuts, bolts, screws, hydraulic fittings and hose clamps are tight.

NEVER alter your log splitter in any manner. Such alterations may cause your log splitter to be unsafe and will void the warranty.

Perform all recommended maintenance procedures before using your log splitter.

Replace all damaged or worn parts immediately.

NEVER tamper with the engine to run it at excessive speeds. The maximum engine speed is preset by the manufacturer and is within safety limits. See Honda engine manual.

ALWAYS remove the spark plug wire before performing any service or repair on your log splitter.

ALWAYS check the level of hydraulic oil and engine oil before operation.

ALL replacement parts must meet manufacturer's specifications.



IMPORTANT SAFETY INFORMATION

HYDRAULIC SAFETY

The hydraulic system of your log splitter requires careful inspection along with the mechanical parts. Be sure to replace frayed, kinked, cracked or otherwise damaged hydraulic hoses or hydraulic components.

NEVER check for leaks of hydraulic fluid with your hand. Fluid escaping from a small hole can be almost invisible. Escaping fluid under pressure can have sufficient force to penetrate skin causing serious personal injury or even death. Leaks can be detected by passing a piece of cardboard over the suspected leak and looking for discoloration.

ALWAYS seek professional medical attention immediately if injured by escaping hydraulic fluid. Serious infection or reaction can develop if proper medical treatment is not administered immediately.

ALWAYS be sure to relieve all pressure by shutting off the engine and moving the valve control handle back and forth should it become necessary to loosen or remove any hydraulic fitting.

NEVER remove the cap from the hydraulic tank or reservoir while the log splitter is running. The tank could contain hot oil under pressure which could result in serious injury.

NEVER adjust the hydraulic valve. The pressure relief valve on your log splitter is preset at the factory. Only a qualified service technician should perform this adjustment.

FIRE PREVENTION

NEVER operate your log splitter near a flame or spark. Hydraulic oil and gasoline are flammable and can explode.

NEVER fill the gas tank while the engine is hot or running. Allow the engine to cool before refueling.

NEVER smoke while operating or refueling your log splitter. Gas fumes can easily explode.

ONLY refuel your log splitter in a clear area with no gas fumes or spilled gas.

ALWAYS use an approved fuel container.

ALWAYS replace the gas cap securely.

If gasoline has spilled, move the log splitter away from the area of the spill and avoid creating any source of ignition until the spilled gas has evaporated.

ALWAYS take a Class B fire extinguisher with you when operating this log splitter in dry areas as a precautionary measure against possible flying sparks.

ALWAYS drain the fuel tank prior to storage to avoid the potential fire hazard.

ALWAYS store gasoline in an approved, tightly sealed container. Store the container in a cool, dry place.

NEVER store gasoline in the house or near a heating appliance.

ALWAYS turn the fuel shut off valve on the engine to the "OFF" position before towing the log splitter. Failure to do so may result in flooding the engine.



IMPORTANT SAFETY INFORMATION

IMPORTANT NOTE:

This log splitter is equipped with an internal combustion engine and should not be used on or near any unimproved forest-covered, brush-covered or grass-covered land unless the engine's exhaust system is equipped with a spark arrester meeting applicable local or state laws (if any). If a spark arrester is used, it should be maintained in effective working order by the operator. In the state of California a spark arrester is required by law. Other states have similar laws. Federal laws apply on federal lands. A spark arrester muffler (optional by manufacturer) is available as an accessory at your nearest engine dealer. Always check the legal requirements in your area.

TOWING SAFETY

ALWAYS check all local and state regulations regarding towing, licensing, and lights before towing your log splitter.

ALWAYS check before towing to make sure that the log splitter is correctly and securely attached to the towing vehicle and that the safety chains are secured to the hitch or bumper of the vehicle with enough slack to allow turning. Always use a Class I, 2" ball with this log splitter.

NEVER carry any cargo or wood on your log splitter.

NEVER allow anyone to sit or ride on your log splitter.

ALWAYS disconnect your log splitter from the towing vehicle before operating it.

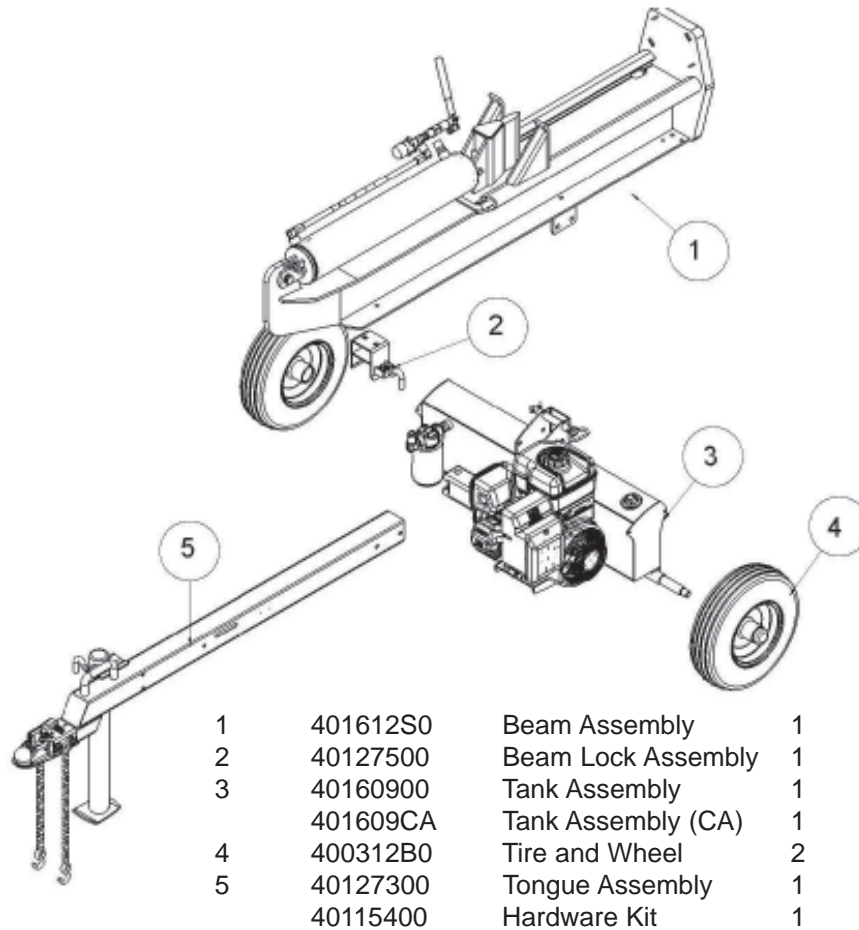
ALWAYS be careful when backing up with your log splitter in tow. It could jackknife.

ALWAYS allow for added length of your log splitter when turning, parking, crossing interesections and in all driving situations.

NEVER exceed 45 mph when towing your log splitter. Towing the log splitter at speeds higher than 45 mph could result in loss of control, damage to the equipment , serious injury or death. Adjust towing speed for terrain and conditions. Be extra cautious when towing over rough terrain especially railroad crossings.

ASSEMBLY INSTRUCTIONS

NOTE: This log splitter was partially assembled at the factory. Refer to the drawings and parts list should it become necessary to disassemble the unit for repair or replacement of parts

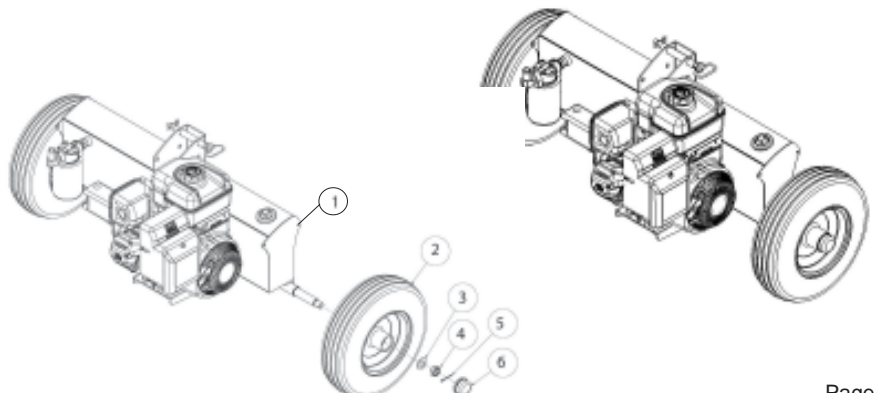


NOTE: This log splitter was partially assembled at the factory. Refer to the drawing and parts list should it become necessary to disassemble the unit for repair or replacement of parts.

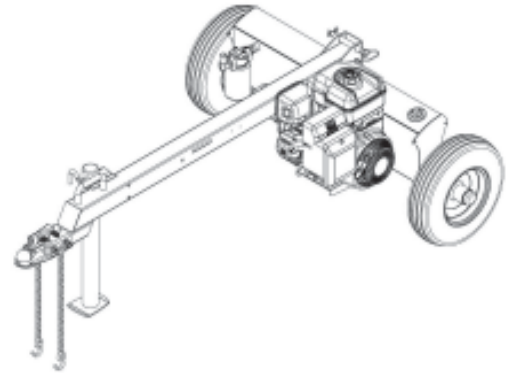
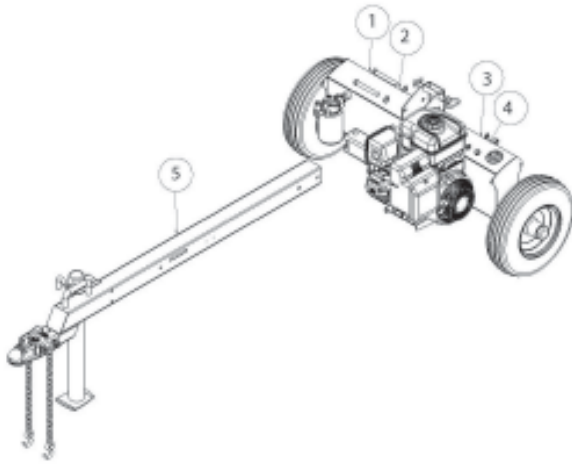
STEP 1: Remove all the components from the crate. Inspect each piece for shipping damage. If any part is damaged, contact your dealer or delivering carrier.

STEP 2: Attach the two wheels (2) to the tank assembly (1) wheel spindles using the 3/4" light flat washers(3) ,3/4" NF slotted nuts (4), 1/8" x 1-1/2" cotter pins (5) and the hub caps (6). These items are in the hardware package. Tighten the slotted nuts and make sure the wheels rotate freely.

ITEM NO.	PART NO.	DESCRIPTION	QTY.
1	40160900	Tank Assembly	1
	401609CA	Tank Assembly (CA)	1
2	400312B0	Wheel Assembly	2
3	O/L	3/4" Light Flatwasher	2
4	17012000	3/4" Slotted Nut	2
5	O/L	1/8" x 1-1/2" Cotter Pin	2
6	40033200	Hub Cap	2

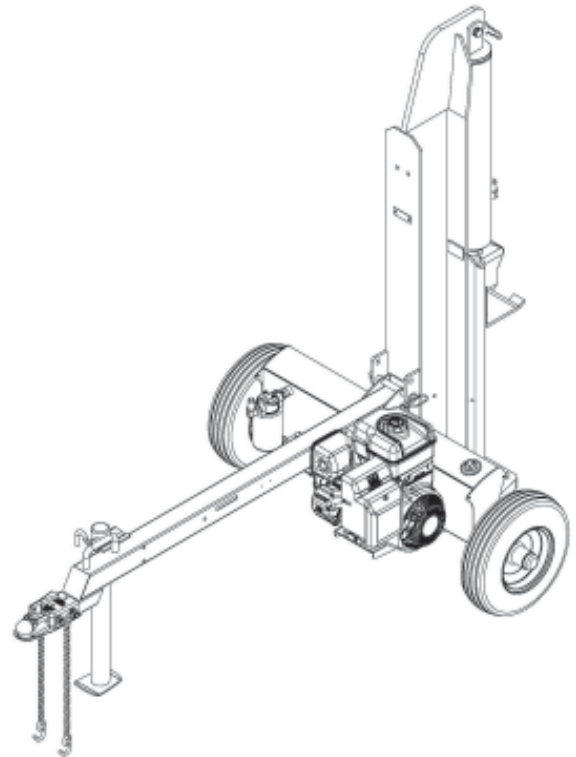
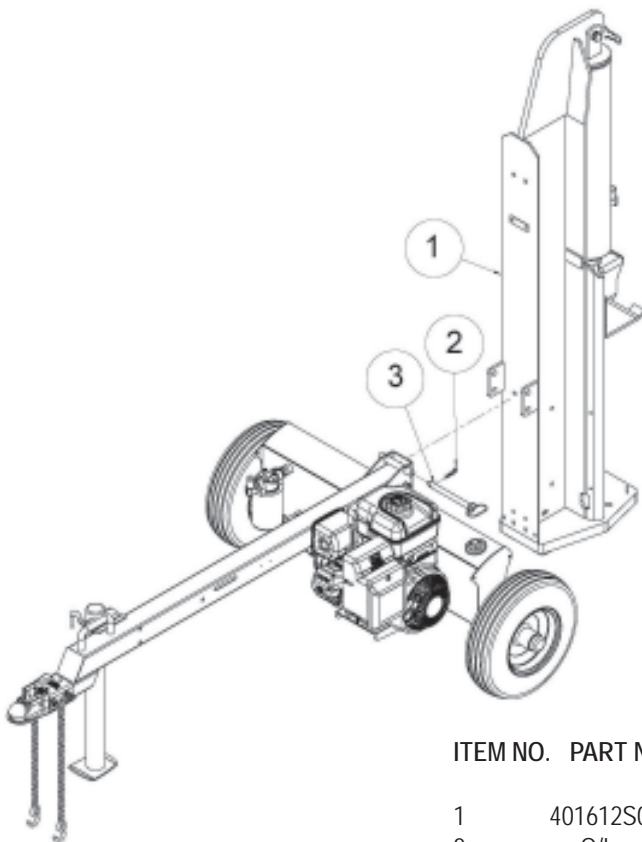


STEP 3: Attach the tongue assembly (5) to the tank assembly (1) using two 1/2" NC x 4-1/2" hex cap bolts (2), two 1/2" lock washers (3) and two and two 1/2" hex nuts (4). Tighten.



ITEM NO.	PART NO.	DESCRIPTION	QTY.
1	40160900	TankAssembly	1
	401609CA	Tank Assembly (CA)	1
2	O/L	1/2" NC x 4-1/2 Hex Bolt	2
3	O/L	1/2" Lock Washer	2
4	O/L	1/2" NC Hex Nut	2
5	40127300	Tongue Assembly	1

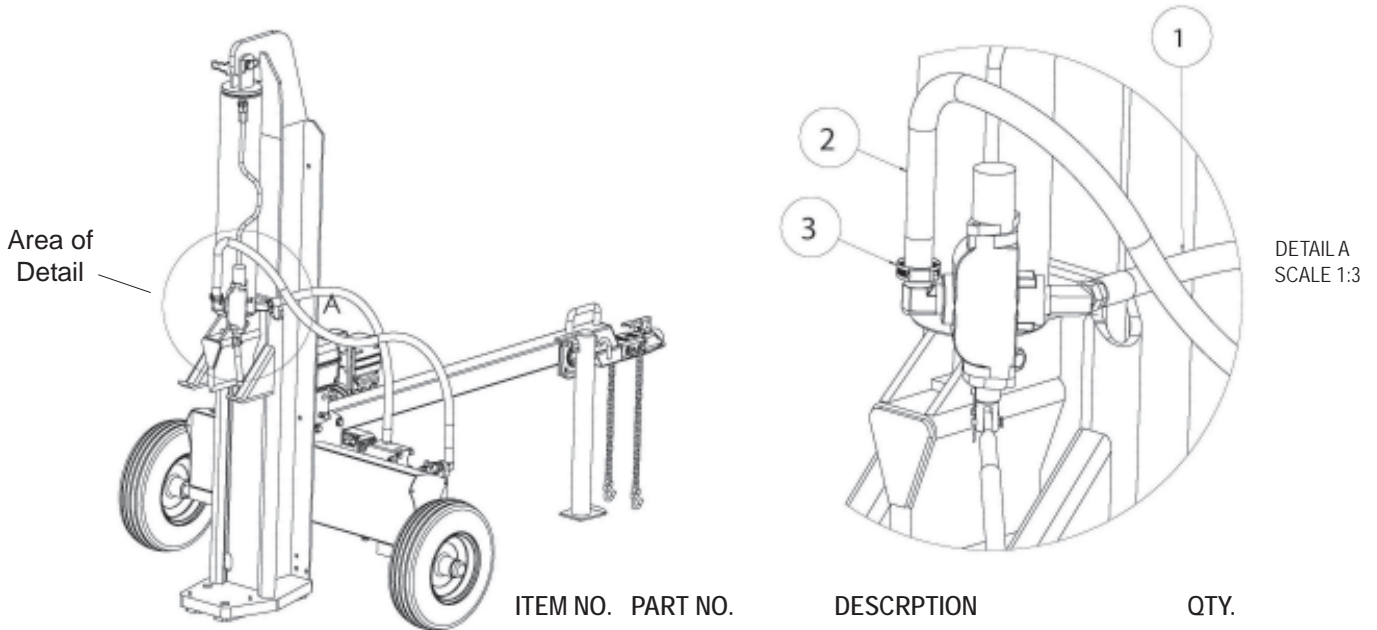
STEP 4: Stand the beam (1) up on end. Two people may be needed for this step to ensure safety. Make sure that the beam is stable and on a level surface. Remove the pivot pin (3) and clip pin (2) from the tank assembly. Roll the tongue/ tank assembly into position between the two tabs on the beam (1). Slide the pivot pin (3) through the aligned holes and lock in place with the clip pin (2)



ITEM NO.	PART NO.	DESCRIPTION	QTY
1	401612S0	Beam Assembly	1
2	O/L	1/2"-3/4" R Clip Pin	1
3	071022WC	Pivot Pin	1

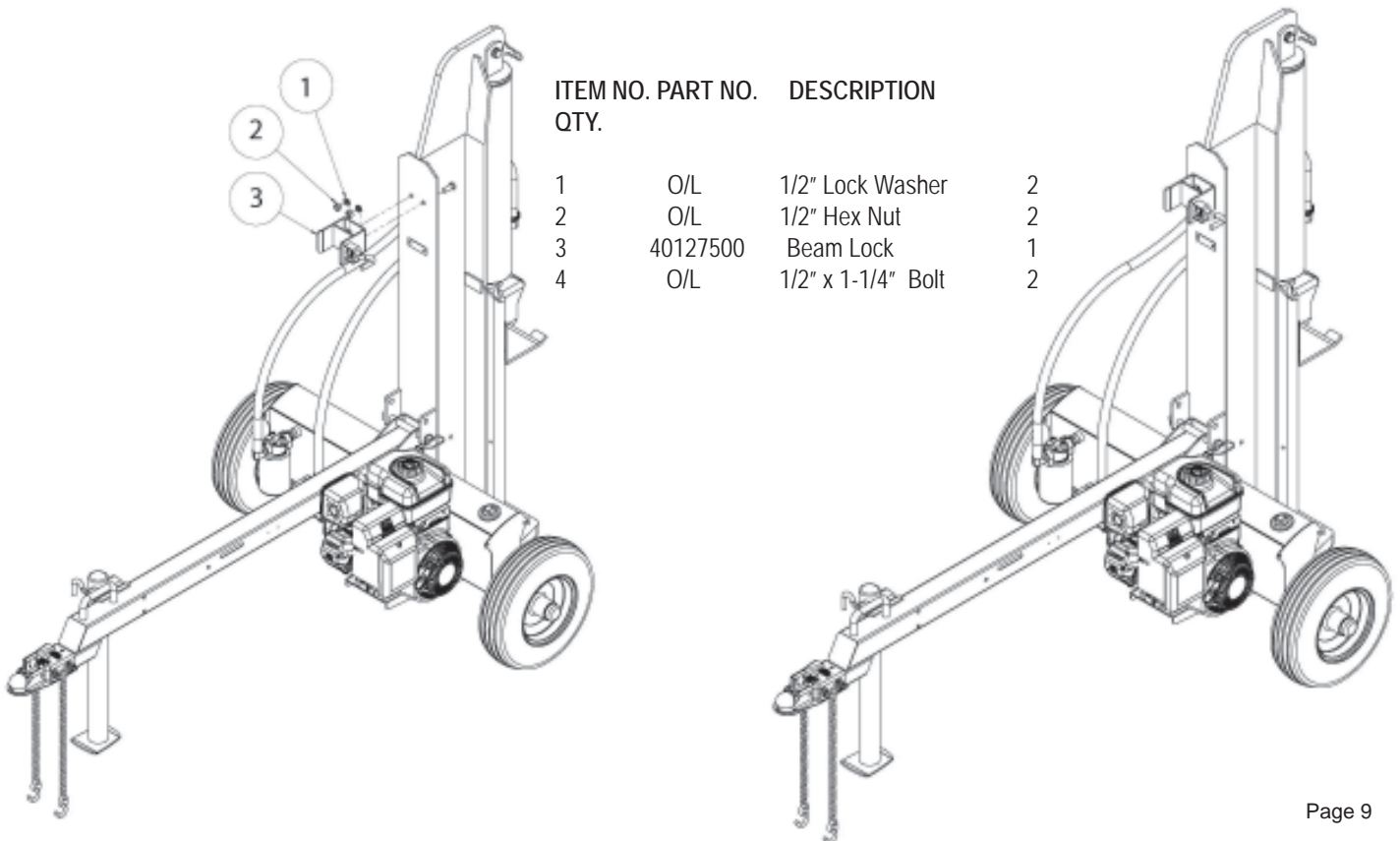
STEP 5: Connect the end of the 1/2" ID x 44" hydraulic pressure hose (1) coming from the fitting on the pump to the fitting on the valve. See illustrations below.

STEP 6: Slide one hose clamp on the end of the 3/4" x 44" hydraulic return hose (2) that comes from the fitting on the filter. Then connect the hose to the fitting on the valve. Tighten hose clamp. See illustrations below.



ITEM NO.	PART NO.	DESCRIPTION	QTY.
1	39027500	1/2" X 38" Pressure Hose	1
2	39027400	3/4" x 56" Return Hose	1
3	39031600	Worm Gear Clamp	3

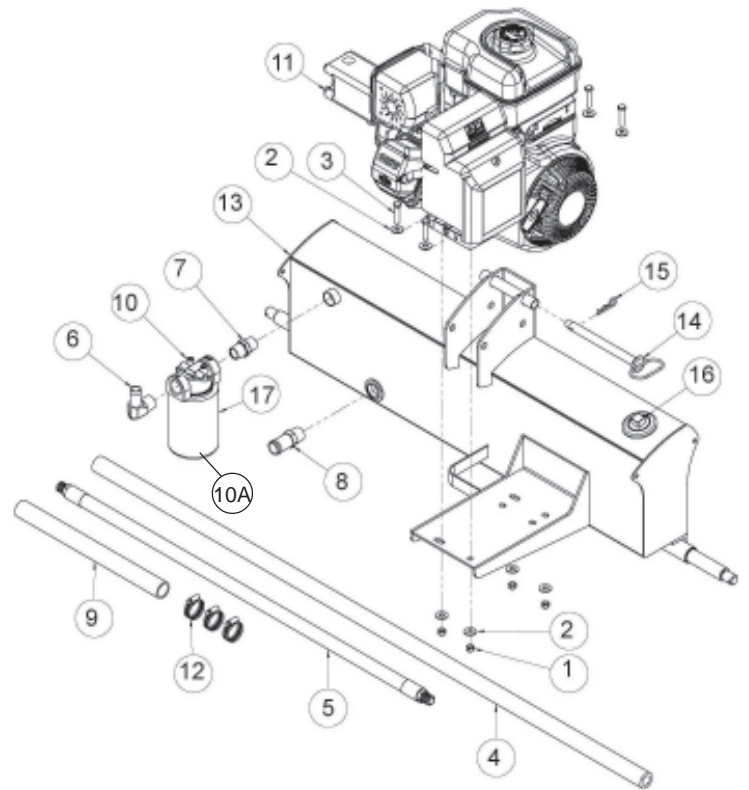
STEP 7: Attach the latch (3) to the bottom side of the beam as shown in the diagram using the two 1/2" x 1-1/4" Grade 5 hex cap bolts (4), the two 1/2" lock washers (1) and the two 1/2" hex nuts (2). Lower the beam onto the tongue. Position the latch assembly on the tongue and tighten hardware.



ITEM NO.	PART NO.	DESCRIPTION	QTY.
1	O/L	1/2" Lock Washer	2
2	O/L	1/2" Hex Nut	2
3	40127500	Beam Lock	1
4	O/L	1/2" x 1-1/4" Bolt	2

TANK/ENGINE ASSEMBLY BREAKDOWN

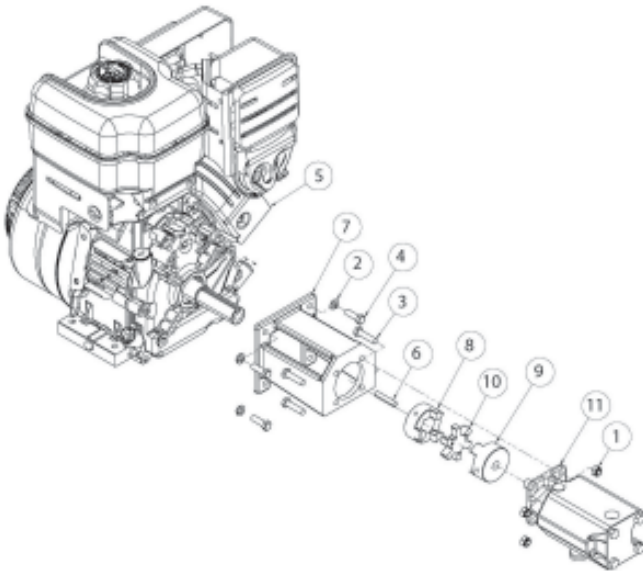
ITEM NO.	PART NO.	DESCRIPTION	QTY.
1	O/L	5/16"-18 UNC Nylock Nut	4
2	O/L	5/16" Flat Washer	8
3	O/L	5/16" x 1-1/2" GR5 Hex Bolt	4
4	39027400	Return Line Hose	1
5	39027500	1/2" x 38" Hydraulic Pressue Hose	1
6	39032000	3/4" NPT x 3/4" Tube	1
7	39034900	3/4" Hex Nipple	1
8	39038100	Straight Fitting, 3/4"NPT to 1/2" Tube	1
9	39038900	1" ID Suction Hose	1
10	390604B0	Filter Base	1
10A	390601A0	Filter Element	1
11	39073200	Briggs & Stratton 1350/Pump Assy.	1
12	39031600	Worm Gear Clamp	3
13	401188PB	Tank	1
14	071022WC	Pivot Pin	1
15	O/L	1/2"-3/4" Hairpin Cotter	1
16	3903750	Dip Stick/Breather Cap	1
17	390601A0	Filter Element	1



O/L- Obtain locally. Common fasteners available through hardware and farm stores.

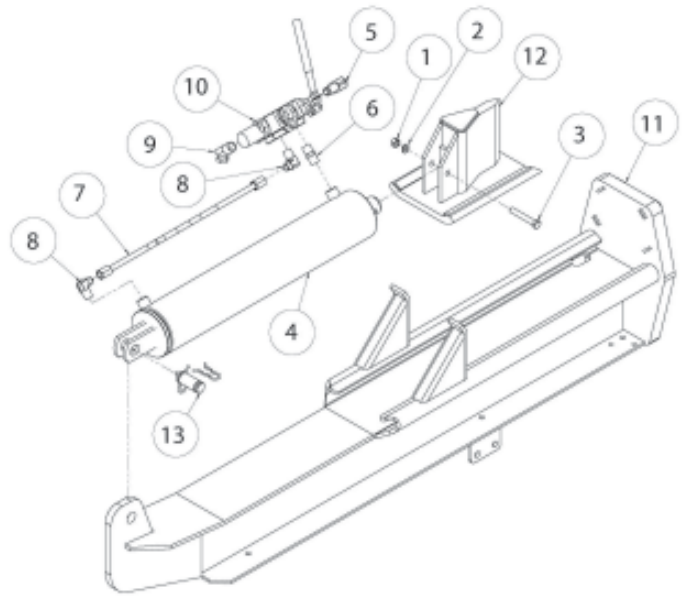
PUMP/ENGINE ASSEMBLY BREAKDOWN

ITEM NO.	PART NO.	DESCRIPTION	QTY.
1	O/L	5/16"-18 UNC Nylock Nut	4
2	O/L	5/16" Regular Lock Washer	4
3	O/L	5/16" x 1-1/4" GR5 Hex Bolt	4
4	O/L	5/16" x 1 UNF GR5 Hex Bolt	4
5	39054500	Briggs & Stratton 1450 Engine	1
	390545CA	Briggs & Stratton 1450 Engine (CA)	1
6	40034300	1/4" Square x 1-1/2" Square Key	1
7	40081800	Pump Mount	1
8	400825L0	Jaw Coupler 1" Bore	1
9	400826L0	Jaw Coupler 1/2" Bore	1
10	400827L0	Rubber Coupler Spider	1
11	39070900	16 GPM Pump	1



BEAM ASSEMBLY BREAKDOWN

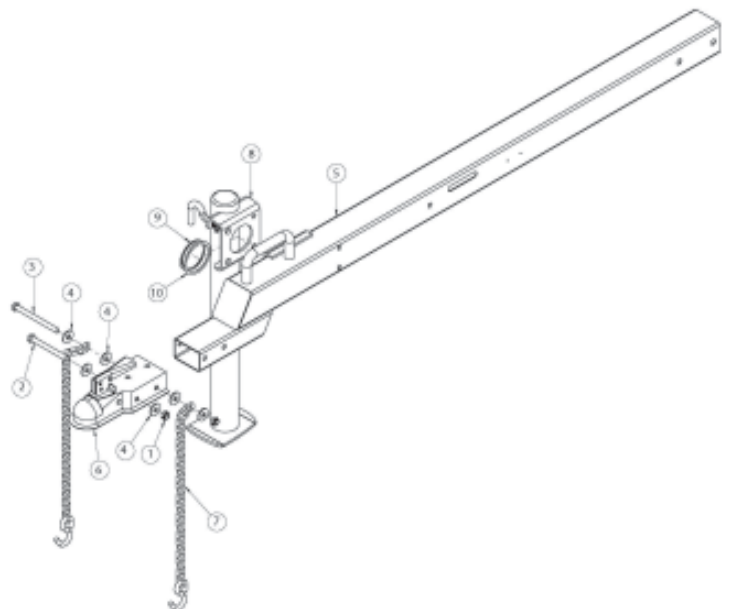
ITEM NO.	PART NO.	DESCRIPTION	QTY
1	O/L	1/2" Hex Nut	1
2	O/L	1/2" Regular Lock Washer	1
3	O/L	1/2" x 3-1/4" Hex Bolt	1
4	390119B0	4.5" x 24" Hydraulic Cylinder	1
5	39032000	3/4" NPT x 3/4" Tube	1
6	39034300	1/2" NPT Nipple	1
7	39034600	1/2" Steel Tubing	1
8	39034700	1/2" Pipe to Steel Tubing	2
9	39039000	45° Fitting, 3/4" Male, 1/2" Fem.	1
10	390406SC	Auto-Return Valve	1
11	401413S0	Beam	1
12	40141800	Wedge	1
13	07073100	Cylinder Pin	1



O/L- Obtain locally. Common fasteners available through hardware and farm stores.

TONGUE ASSEMBLY BREAKDOWN

ITEM NO.	PART NO.	DESCRIPTION	QTY.
1	O/L	M10 x 1.5 Nylock Nut	2
2	O/L	M10 x 1.5 x 100mm GR5 Hex Bolt	1
3	O/L	M10 x 1.5 x 120mm GR5 Hex Bolt	1
4	O/L	M10 Flat Washer	5
5	401273A0	Tongue	1
6	40034600	Hitch Ball Assembly	1
7	400323A0	Chain	2
8	40127400	Ground Stand Assembly	1
9	9114-1	Retaining Ring	1
10	9132-1	Spacer Washer	1



O/L- Obtain locally. Common fasteners available through hardware and farm stores.

OPERATING INSTRUCTIONS



WARNING: Read and thoroughly understand all instructions and safety information before operating this log splitter. Failure to do so may cause serious injury or death. Do not allow anyone to operate this log splitter who has not read this manual. As with all power equipment, a log splitter can be dangerous if assembled or used improperly. Do not operate this log splitter if you have doubts or questions concerning safe operation. Call our customer service department at 1-800-525-8322 to address these concerns.

Si no entiende ingles, se prefiere que busque alguien que interprete las instrucciones para usted.



CAUTION: DO NOT START OR RUN THE ENGINE BEFORE ADDING OIL IN THE HYDRAULIC RESERVOIR AND OIL IN THE ENGINE.

STEP 1: The hydraulic reservoir must be filled with the oil provided. AW46 hydraulic oil is recommended when oil is needed. Automatic transmission fluid can be substituted and should be used instead of hydraulic oil when temperatures are below 32 degrees F. Use only clean oil and take care to prevent dirt from entering the hydraulic reservoir. Fill the hydraulic tank with approximately 3.5 to 4 gallons of hydraulic oil.



CAUTION: WHEN TIGHTENING THE BREATHER CAP ON THE TANK, POINT THE HOLE AWAY FROM THE ENGINE AND THE OPERATOR ZONE.

ENGINE OIL RECOMMENDATIONS

For temperatures above 40 degrees F use an SAE 30W oil. Using multigrade oil may increase oil consumption. Using SAE 30W oil below 40 degrees F will result in hard starting and possible engine bore damage. For temperatures below 40 degrees F use an SAE 10W-30 or SAE 5W-30 oil. Oil capacity is about 1.16 quart (1.1 liter).

STEP 2: After the hydraulic reservoir and the engine crankcase are filled with oil, start the engine. The hydraulic pump should prime itself. With the engine running, move the hydraulic valve lever toward the foot plate. This will cause the cylinder to extend and expel air. When the cylinder is fully extended, retract it. Repeat this procedure several times. An erratic movement of the cylinder indicates that there is still air in the system. Add about 1.0 to 1.5 gallons more. Five gallons will register just above the top fill line on the dip stick. The total capacity of the entire hydraulic system is 6.5 gallons. **NOTE:** If the tank is overfilled it will tend to expel oil from the breather cap when the cylinder is retracted. Cycle the cylinder again until it has a constant speed indicating that all air has been expelled.

STARTING INSTRUCTIONS

- a) Move the throttle lever to "FAST". Always operate the engine with throttle lever in the "FAST" position
- b) Move choke control lever to "CHOKE" position.
- c) Grasp rope handle and pull slowly until resistance is felt. Then pull rapidly to start engine and avoid engine kickback.
- d) Allow the engine to warm up. If operating in warm weather, move the choke control lever toward "RUN" a short distance at a time over several seconds. For cold weather operation do this procedure over several minutes. Operate with choke lever in the "RUN" position.
- e) To stop engine, move the throttle lever to the "STOP" position.



CAUTION: *TURN FUEL SHUT OFF VALVE TO THE "OFF" POSITION PRIOR TO TOWING. FAILURE TO DO SO MAY RESULT IN FLOODING THE ENGINE.*

NOTE: The engine maximum governed speed is preset at the factory at 3600 RPM no load speed. When splitting wood the throttle should be set at the maximum speed to develop the horsepower required for the pump.

OPERATION



WARNING: *See safety information related to operation of the log splitter on page 3 and 4 of this manual. Make sure that you have the recommended personal protective equipment described on page 1.*

- 1) Set up the log splitter in a clear, level area and block the wheels. Make sure that the suction port on the tank is always on the lower side of the log splitter.
- 2) For horizontal operation place a log on the beam against the foot plate. Make sure the log is securely on the foot plate and up against the beam. To split wood in the vertical position, release the pin on the beam latch located near the front end of the beam. Carefully tilt the beam up until the foot plate is sitting squarely on the ground and the log splitter is stable. Place the log on the foot plate up against the beam. When the beam is returned to the horizontal position make sure the beam latch is securely locked down. See illustrations in Step 8 on page 10.
- 3) With the engine running, depress the valve handle so that the cylinder will drive the wedge into the log. Extend the cylinder until the log splits or to the end of its stroke. If the log has not completely split after the cylinder has reached the end of its extension, retract the cylinder.
IMPORTANT: Leaving the valve in the "actuate" position at the end of the stroke may damage the pump. Always use extra care when splitting logs with unsquare ends.

NOTE: For operation in wooded areas, obtain a spark arrestor for the exhaust system. See the engine operating and maintenance manual and check with your authorized Honda service center. See also Fire Prevention on page 5 of this manual.

IMPORTANT: *TO EXTEND THE LIFE OF THE HYDRAULIC CYLINDER, AVOID "BOTTOMING OUT" WEDGE PLATE TO THE FOOT PIECE. TO CONFORM WITH INDUSTRY SAFETY RECOMMENDATIONS, THE WEDGE STOPS 1.5 INCHES FROM THE END OF THE STROKE.*

TOWING

This log splitter is equipped with pneumatic tires, a Class I coupler (2 in. diameter ball required) and safety chains. Before towing, the safety chains must be secured to the hitch or bumper of the vehicle. Local regulations should be checked regarding licensing, lights, towing, etc. Turn fuel shut off valve on the engine to the "Off" position prior to towing. Failure to do so may result in flooding the engine. Do not exceed 45 mph when towing this log splitter. See also Towing Safety on page 6 of this manual.

MAINTENANCE

- 1) Consult the operating and maintenance instructions of the engine manufacturer for engine care and maintenance.
- 2) Always check the oil level of the hydraulic reservoir before operation. Operating the log splitter without an adequate oil supply will cause severe damage to the pump.
- 3) Change the oil filter after the first 25 hours of operation. There after change the oil filter every 100 hours or seasonally, whichever comes first.
- 4) To drain the hydraulic oil, loosen the clamp on the hose coming from the fitting on the bottom of the tank. It is located just to the right of the oil filter.
- 5) If the wedge becomes dull or nicked, it can be removed and sharpened. Remove the 1/2 in. diameter bolt that connects the wedge to the cylinder. hose from the valve. The hose from the valve may need to be removed. Carefully lift the cylinder to allow the wedge to slide forward. The wedge can now be lifted off and sharpened.
- 6) Clean the breather cap after 25 hours of operation. Clean it more often when operated in dusty conditions. To clean, remove the breather cap from the tank and flush with kerosene or liquid detergent to remove the dirt.
- 7) See also Repair and Maintenance Safety on page 4 of this manual.
- 8) All replacement parts must meet manufacturer's specifications.

IMPORTANT NOTICE

We, the manufacturer, reserve the right to change the product and/or specifications in this manual without notification. The manual is for information usage only and the pictures and drawings depicted herein are for reference only.

== NOTES ==

Warranty Repair and Service

Do not return this product to the store for warranty issues or repair. Call 1-800-525-8322 for the location of the nearest service center.

Record the information below for future reference.

Model No. _____

Serial No. _____

Date of Purchase _____

Place of Purchase _____

SPECIFICATIONS

Engine	Briggs & Stratton 1450 Engine
Pump	Two-Stage, 16 gpm
Cylinder	4-1/2 in. Diameter x 24 in. Stroke
Valve	Auto-Return
Maximum Splitting Force	28 Tons
Maximum Log Length	26 in.
Cycle Time*	12 Seconds
Wheels	4.80 x 8 in.
Wedge	7 in. High with Spreader Wings
Beam Size	8in. x 10 in. with Built-In Log Cradle
Hydraulic Capacity	6.5 Gallons Maximum
Filter	Spin-On Replaceable Filter
Height	72 in. in Vertical Position 42 in. in Horizontal Position
Length	78 in.
Width	49 in.
Shipping Weight	590 lbs.
*Ideal case cycle time. Actual cycle time will vary depending on temperature, altitude, engine speed, pump efficiency, etc.	



A brand of Special Products Co.
 15000 W. 44th Ave. Golden Colorado 80403
 303-279-5544 Toll Free USA 800-525-8322 Fax 303-278-3432
 Email: speeco@speeco.com Web: www.speeco.com